

# Kidde Fire Systems Component Description



## Stackable Electric Control Head Kits with Control Head Monitor

Effective: April 2023  
K-85-3002 Rev AD

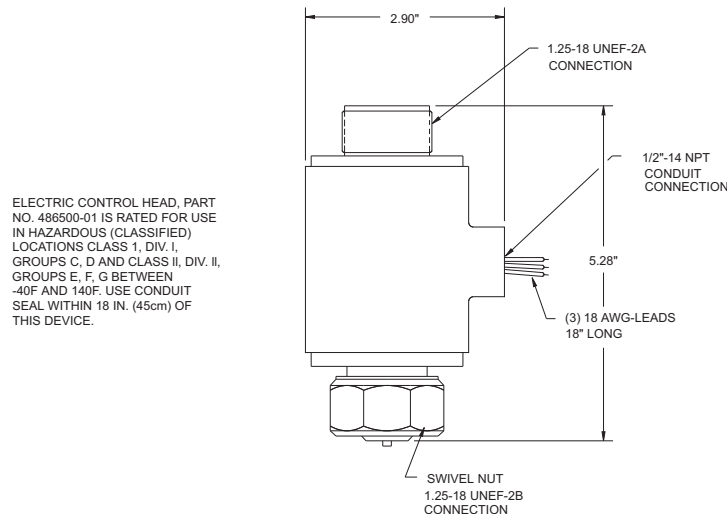
### FEATURES

- UL Listed, ULC Listed, and FM Approved for use with systems listed in the Table, "COMPATIBILITY", on page 2.

P/N: 85-486500-010

### ORDER INFORMATION

Part Number	Description
85-486500-010	Kit, Includes: <ul style="list-style-type: none"> <li>• Electrical Control Head, 24 VDC, Stackable, (Ex. Proof), P/N: 82-486500-010</li> <li>• Control Head Monitor, P/N 85-100000-100 (for more information, see data sheet K-85-3000)</li> <li>• Lever Operated Control Head, P/N WK-870652-000 (for more information, see data sheet K-85-6005)</li> </ul> <b>Note:</b> This kit is UL listed and FM Approved.
85-486500-020	Kit, Includes: <ul style="list-style-type: none"> <li>• Electrical Control Head, 24 VDC, Stackable, (Ex. Proof), P/N: 82-486500-010</li> <li>• Control Head Monitor, P/N 85-100000-100 (for more information, see data sheet K-85-3000)</li> </ul> <b>Note:</b> This kit is UL listed but Not FM Approved.
<b>Note:</b> Both kits are not suitable for 600/900/1100 lb ECS Cylinders, ADS Cylinders, Nitrogen drivers, Nitrogen pilot cylinders, and FE-13 Cylinders.	



**Note:** This control head is polarized. Improper wiring will result in failure of this device to operate.



**WARNING**

Electric control head, P/N: 82-486500-010, is designed for installation directly on 487 Series Halon and Kidde Fire Systems ECS™ agent valves only to a maximum size of 350 lbs. This control head must not be installed on any other type of halon or agent cylinder valve, nitrogen valve, carbon dioxide cylinder valve, FE-13™ cylinder valve or Stop (Directional) valve. Installation of this control head to any other device (e.g., pressure operated control head) will result in failure of device to operate.

### MATERIAL

Body: Brass

### SPECIFICATIONS

Voltage: 24 VDC  
Current: 0.2A Continuous Draw

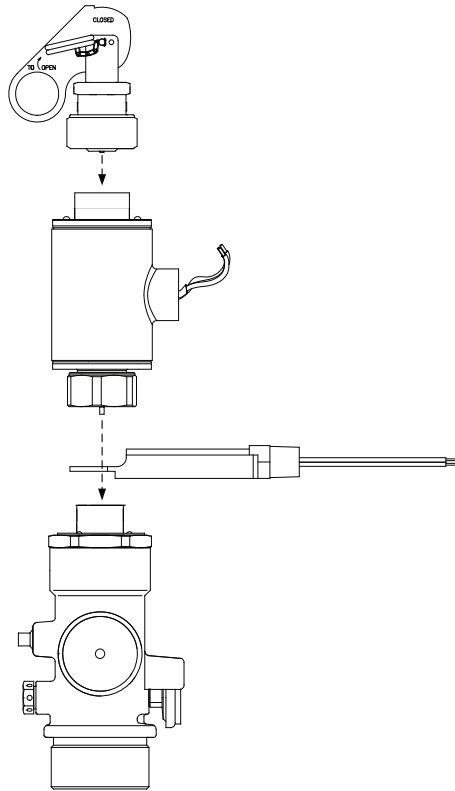


Figure 1. Electric Control Head Kit (P/N 85-486500-010)

## COMPATIBILITY

Series	DIOM P/N	Supplement P/N	Approval
Kidde Fire Systems ECS-500™ System*	06-237585-001	N/A	UL, ULC, FM
Kidde Fire Systems ECS™ 360 for use with Fluoroketone Fire Suppression Agents*	06-236553-001	N/A	UL, ULC, FM
Kidde Fire Systems ECS™ 360 with HFC-227ea Agent*	06-236115-001	06-236115-003	UL, ULC, FM
Kidde Fire Systems Modular ECS™ 360 with HFC-227ea Agent*	06-236116-001	06-236116-002	UL, ULC, FM
*For Cylinders up to 350 lbs. maximum			
<b>Note:</b> Agency listings also apply the Fenwal Engineered Fire Suppression Systems, when the Control Head Monitor is used on these legacy product lines.			

### EXPORT INFORMATION (USA)

Jurisdiction: EAR

Classification: EAR99

This document contains technical data subject to the EAR.

All trademarks are the property of their respective owners.

This literature is provided for informational purposes only. KIDDE-FENWAL, INC. believes this data to be accurate, but it is published and presented without any guarantee or warranty whatsoever. KIDDE-FENWAL, INC. assumes no responsibility for the product's suitability for a particular application. The fire suppression system design, installation, maintenance, service and troubleshooting must be performed by trained, authorized Kidde Fire Systems distributors for the product to work correctly. If you need more information on this product, or if you have a particular problem or question, contact: KIDDE-FENWAL, INC., Ashland, MA 01721 USA, Telephone: (508) 881-2000.